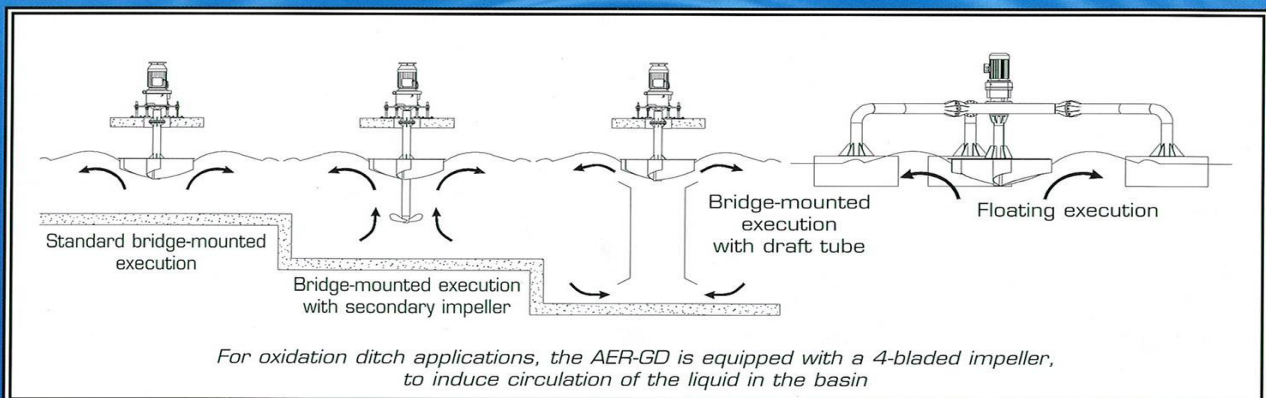




AQUASYSTEMS INTERNATIONAL NV

AQUA TURBO® LOW SPEED SURFACE AERATOR SERIES AER-GD

- ✓ High performance, radial impeller
- ✓ Proven technology
- ✓ Intensive mixing
- ✓ Flat spray
- ✓ Robust construction
- ✓ Gearbox safety factor >2
- ✓ Bearing lifetime >100000 hrs

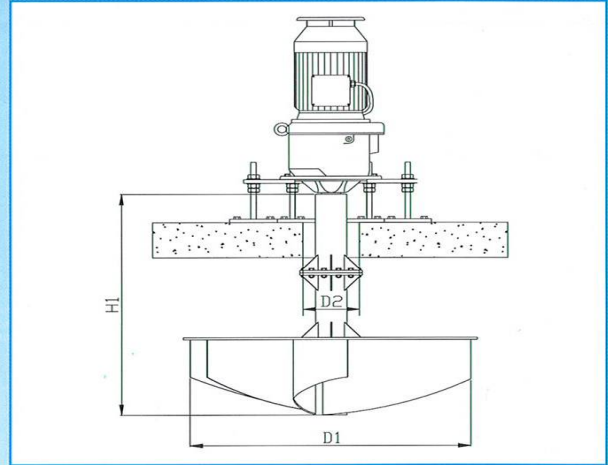


DENOMINATION

Productname AQUA TURBO®:

AER-GD 2200 - 24

- Low speed surface aerator
- Motor power (kW) x 100
- 24 = 1500rpm (4 poles)
16 = 1000rpm (6 poles)



MATERIALS

- Geared motor: cast iron GG25, with epoxy coating
- Flange support with height adjustment: epoxy coated steel
- Impeller with extended shaft: epoxy coated steel

Type	Motor Power kW	Impeller speed rpm	Standard height Shaft + Impeller H1	Impeller Diameter D1	Bridge Opening D2	Diameter free of obstacles	Geared motor Weight kg	Impeller Weight kg
AER-GD 0110-24	1.1	64	1270	860	160	2.2	37	90
AER-GD 0110-24	1.1	130	1195	610	160	2.2	25	60
AER-GD 0150-24	1.5	60	1300	890	160	2.6	46	110
AER-GD 0150-24	1.5	130	1210	655	160	2.6	34	70
AER-GD 0220-24	2.2	60	1330	1030	160	2.6	62	180
AER-GD 0220-24	2.2	130	1225	710	160	2.6	39	80
AER-GD 0300-24	3	55	1360	1150	260	2.8	79	220
AER-GD 0300-24	3	130	1240	760	260	2.8	44	85
AER-GD 0400-24	4	57	1380	1205	260	3	130	240
AER-GD 0400-24	4	110	1275	880	260	3	92	130
AER-GD 0550-24	5.5	58	1400	1280	260	3.2	133	280
AER-GD 0550-24	5.5	110	1295	940	260	3.2	96	145
AER-GD 0750-24	7.5	58	1425	1370	260	3.6	144	320
AER-GD 0750-24	7.5	110	1320	1010	260	3.6	155	215
AER-GD 0920-24	9.2	60	1440	1410	260	3.6	232	330
AER-GD 0920-24	9.2	90	1365	1160	260	3.6	150	270
AER-GD 1100-24	11	58	1470	1485	260	3.6	210	380
AER-GD 1100-24	11	75	1410	1320	260	3.6	210	330
AER-GD 1500-24	15	54	1510	1650	260	3.8	347	450
AER-GD 1500-24	15	70	1450	1450	260	3.8	285	390
AER-GD 1850-24	18.5	54	1540	1730	260	4.2	375	500
AER-GD 2200-24	22	52	1570	1820	340	4.2	506	550
AER-GD 3000-24	30	60	1570	1820	340	4.6	596	550
AER-GD 3700-24	37	50	1650	2080	340	4.6	710	850
AER-GD 4500-24	45	60	1660	2130	385	4.8	850	910
AER-GD 5500-24	55	40	1780	2520	385	5.2	1050	1250
AER-GD 7500-24	75	41	1820	2670	385	5.4	1400	1440
AER-GD 9000-24	90	42	1850	2750	470	6	1710	1550
AER-GD 11000-24	110	43	1870	2830	470	6.6	2170	1700

All values are indicative. Aquasystems International N.V. reserves the right to adjust these at any time.

Headquarters

AQUASYSTEMS INTERNATIONAL n.v.
Brusselssteenweg 508 • B-1500 Halle - Belgium
Tel.: 32 (0)2 362 02 62 • Fax: 32 (0)2 360 35 89
e-mail : asi@aquaturbo.be • <http://www.aquaturbo.be>



AQUASYSTEMS INTERNATIONAL n.v. Sales Offices
UK • GERMANY • SWEDEN • ROMANIA • FRANCE

World-wide network of distributors and agents

Subsidiary USA

AQUATURBO SYSTEMS INC.
1754 Ford Avenue • Springdale AR 72764
Tel.: 501 927 1300 • Fax: 501 927 0700
e-mail : aquatbo@ipa.net • <http://www.aquaturbo.be>